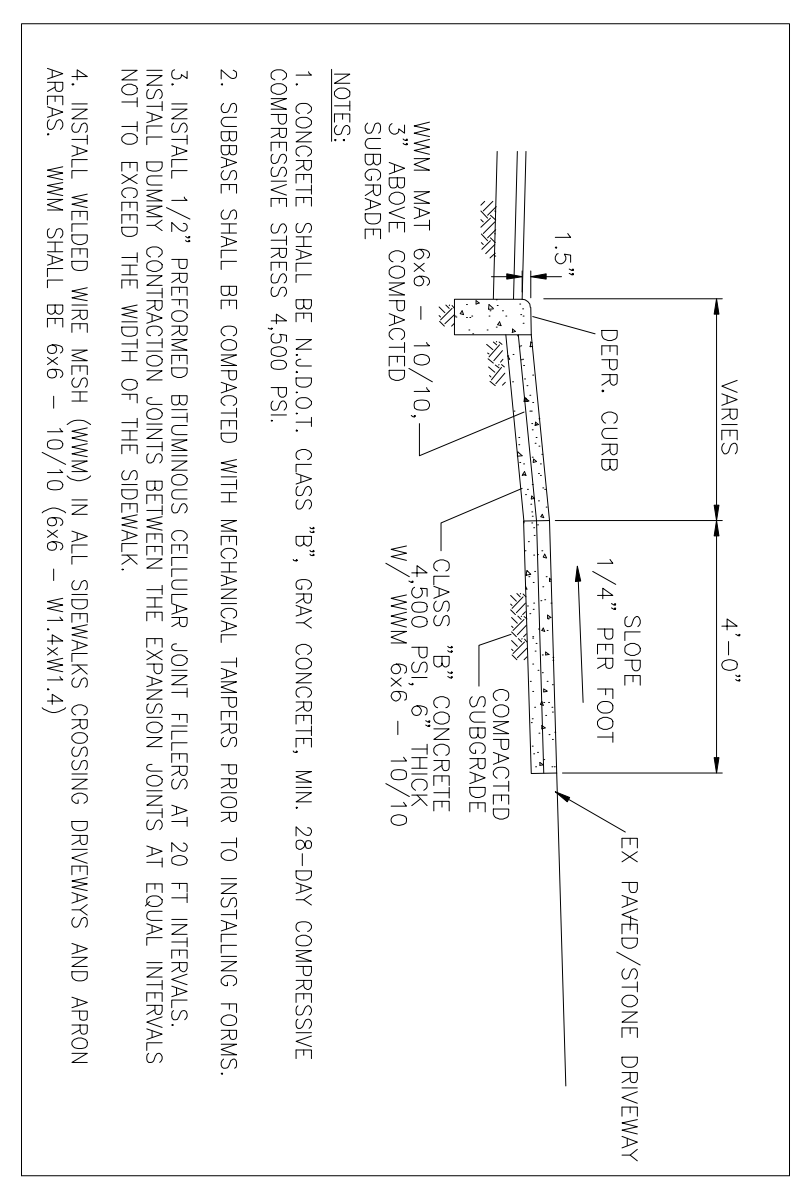
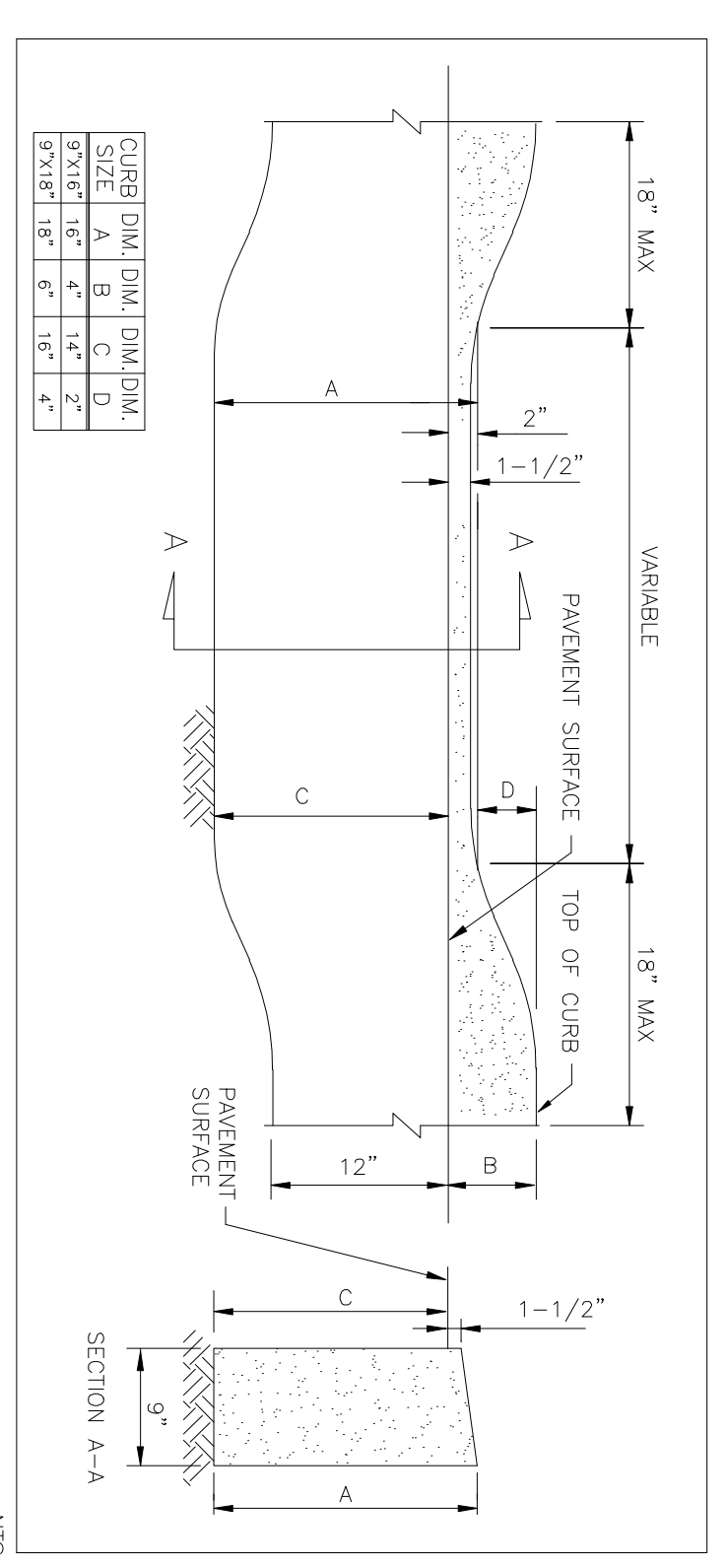


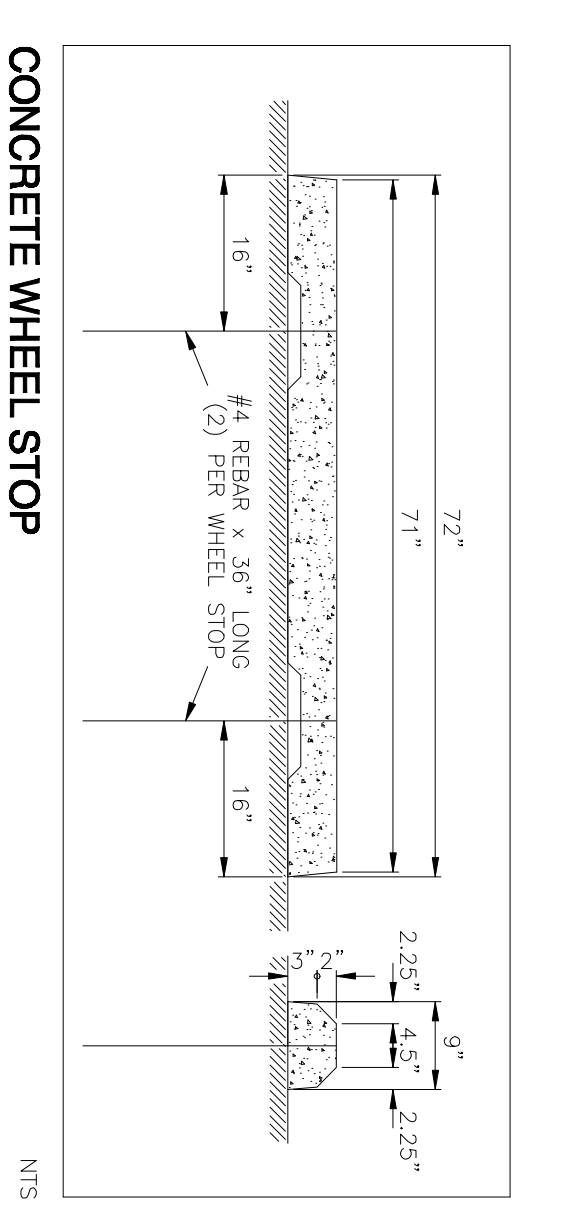
CONCRETE VERTICAL CURB (ATLANTIC COUNTY)



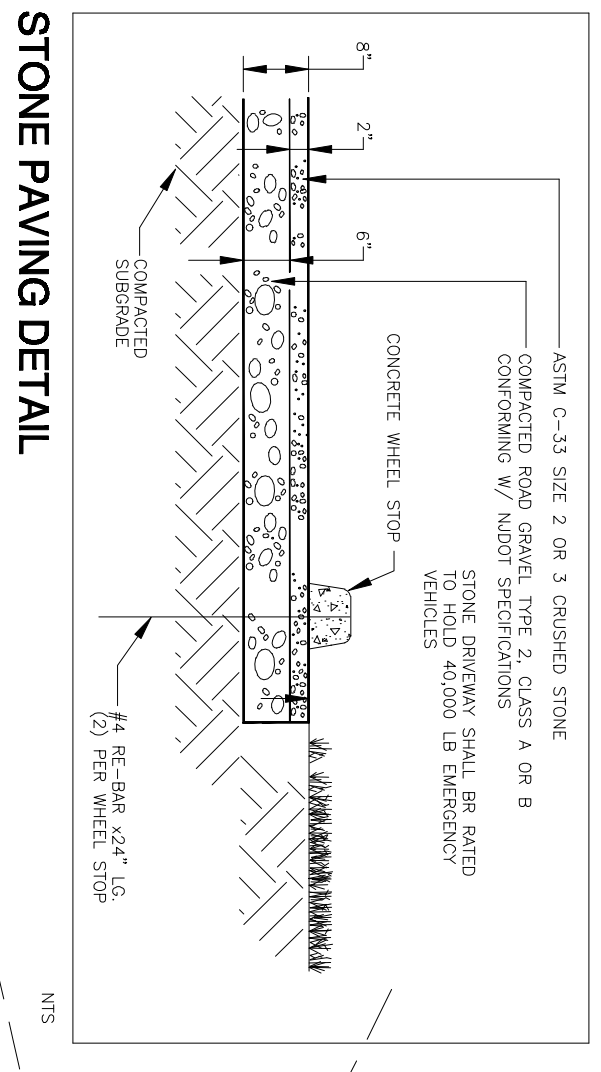
CONCRETE DRIVEWAY APRON DETAIL



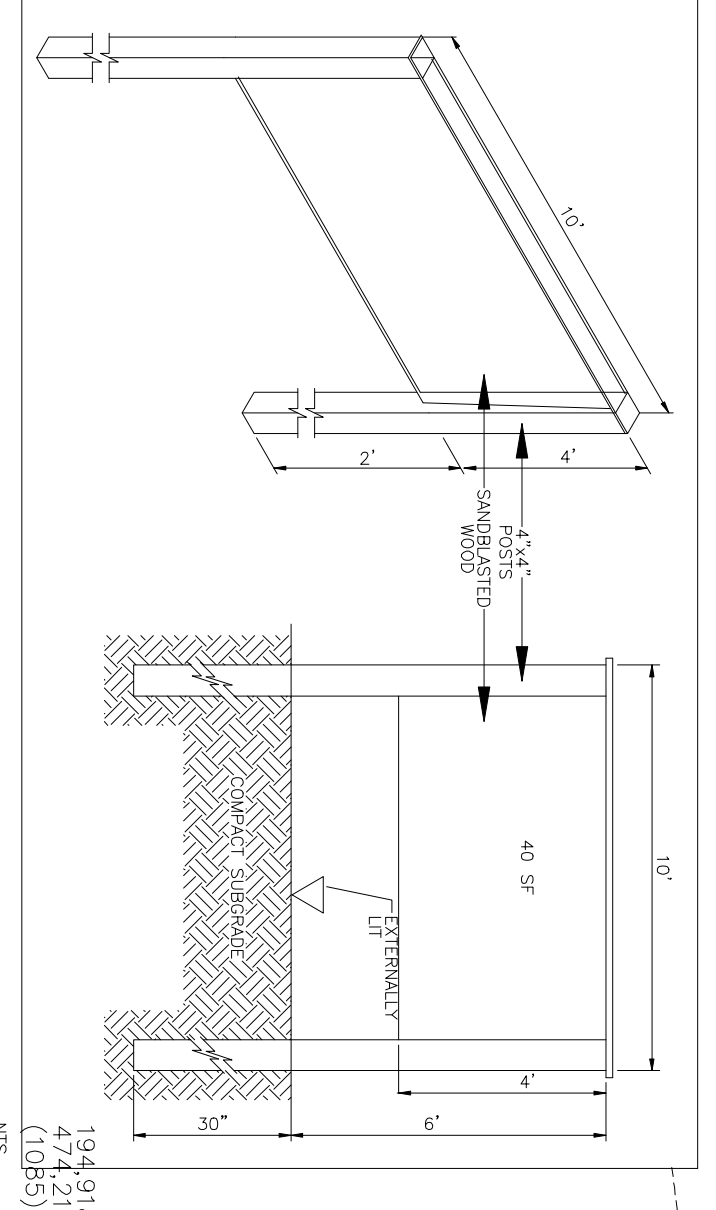
DEPRESSED CURB AT DRIVEWAYS (ATLANTIC COUNTY)



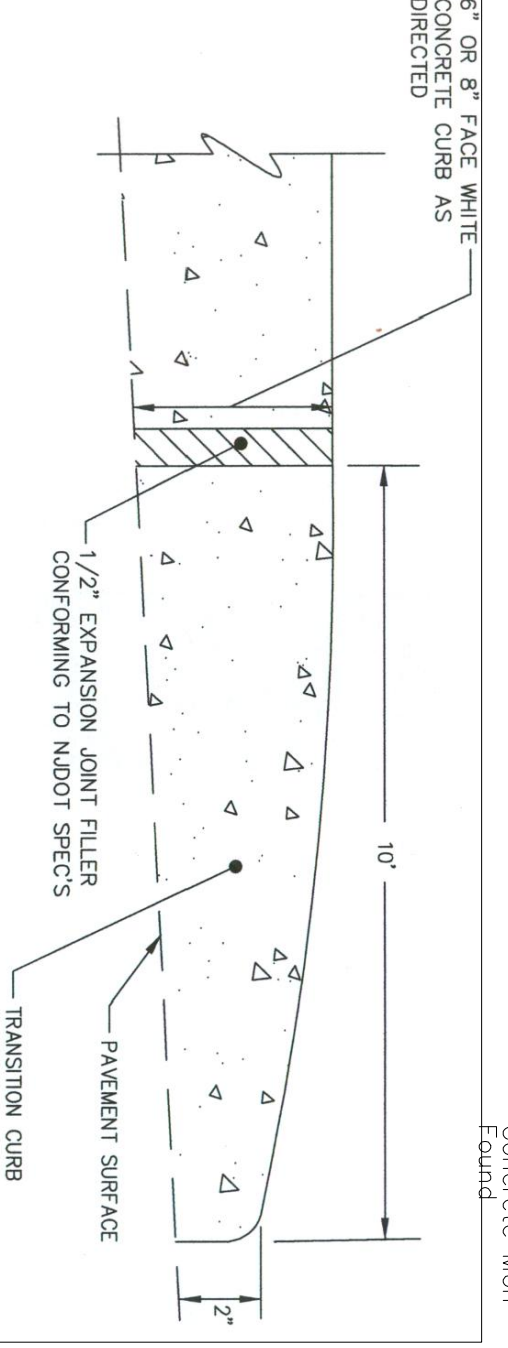
CONCRETE WHEEL STOP



STONE PAVING DETAIL



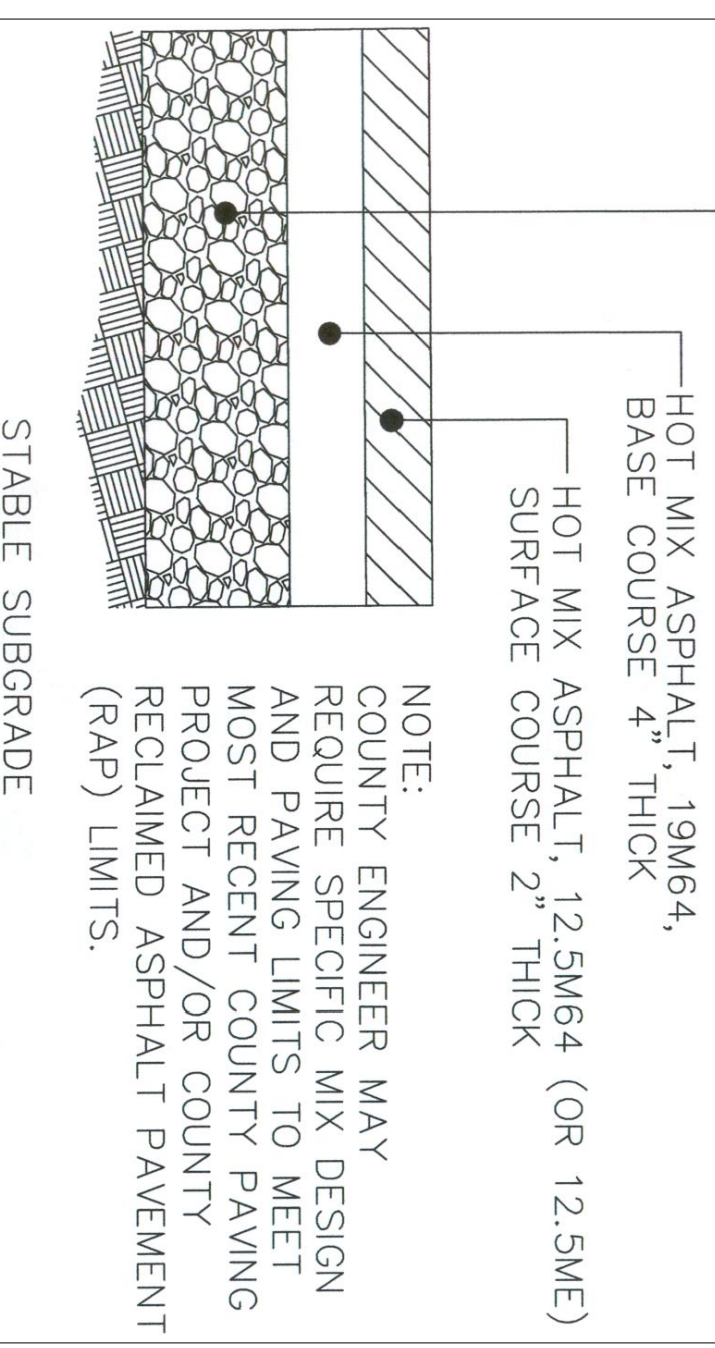
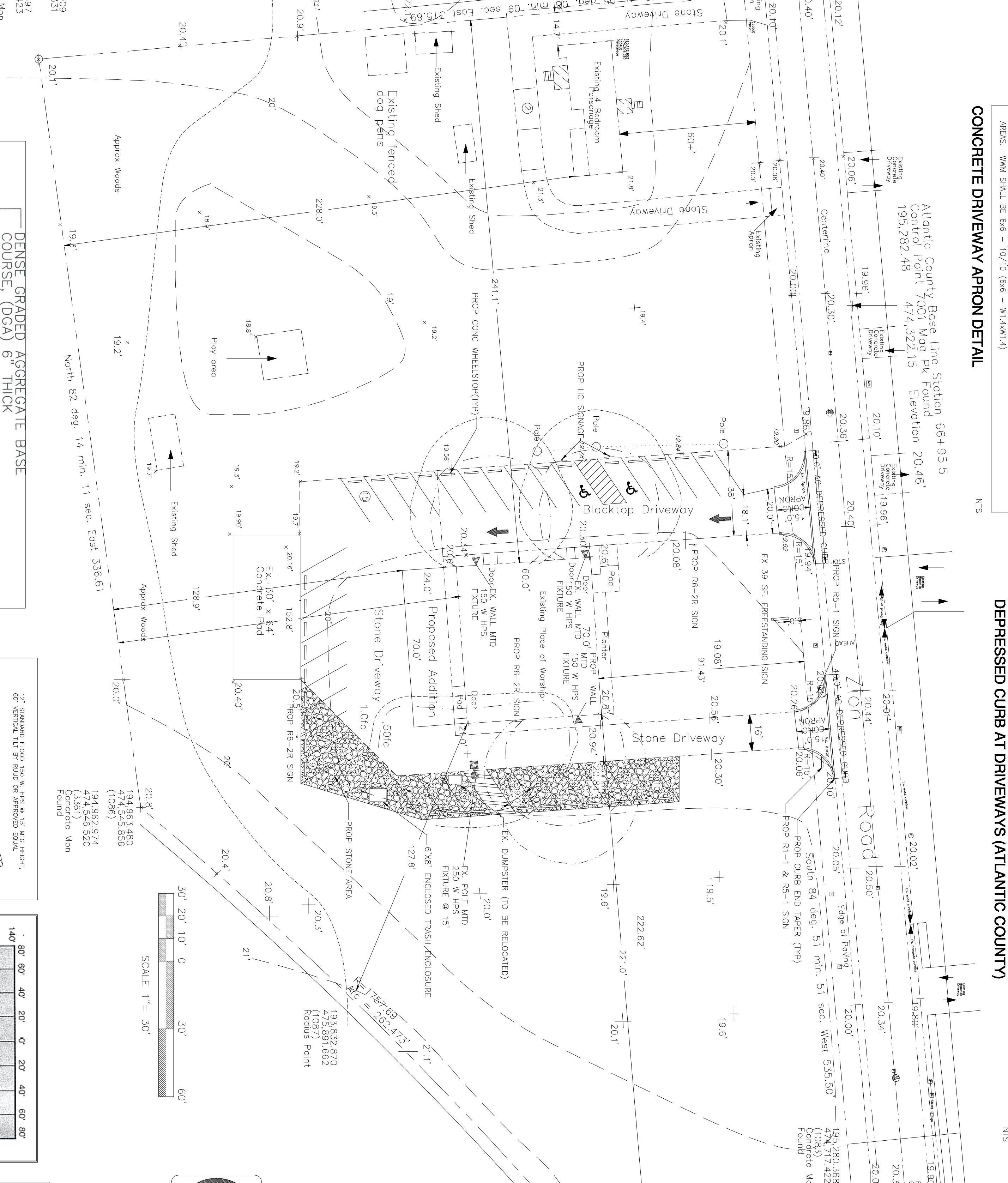
FREESTANDING SIGN DETAIL



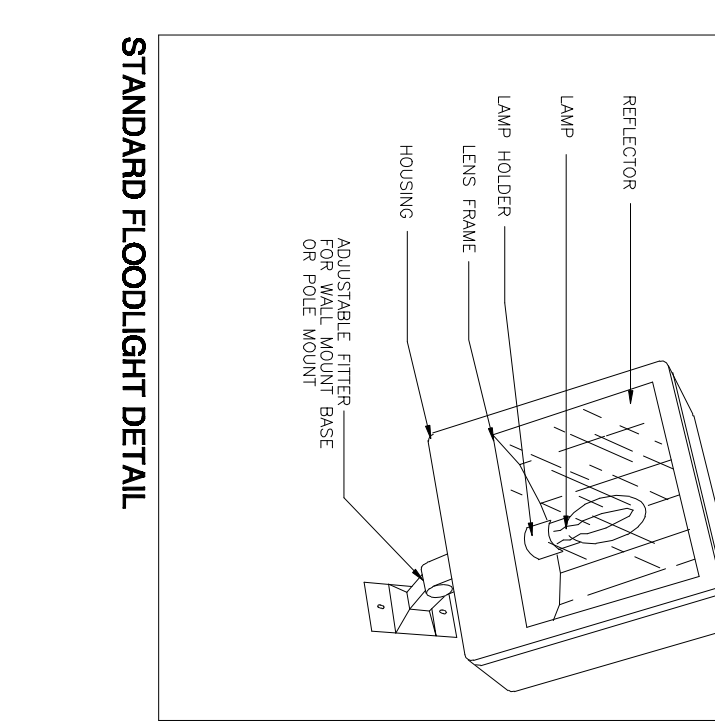
VERTICAL CURB TAPER

ATLANTIC COUNTY DIVISION OF ENGINEERING

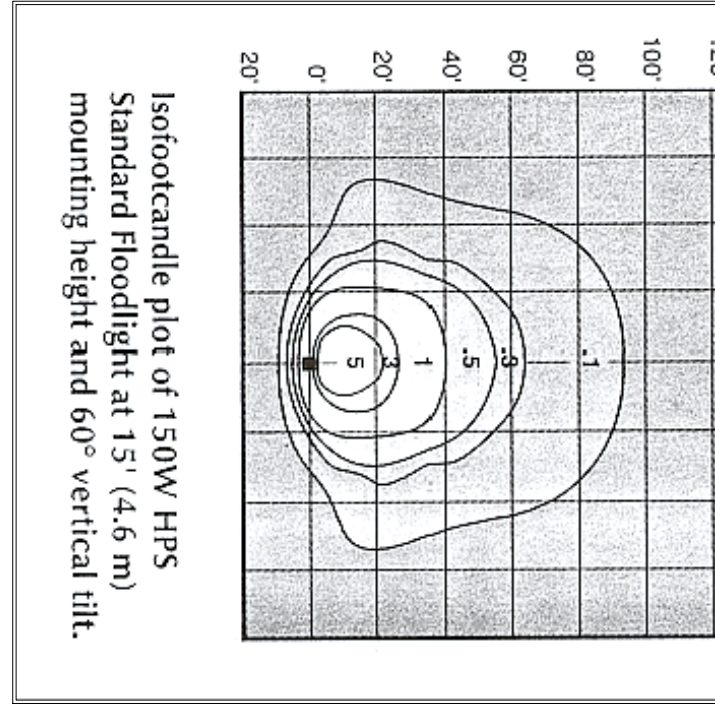
FIG. # 8



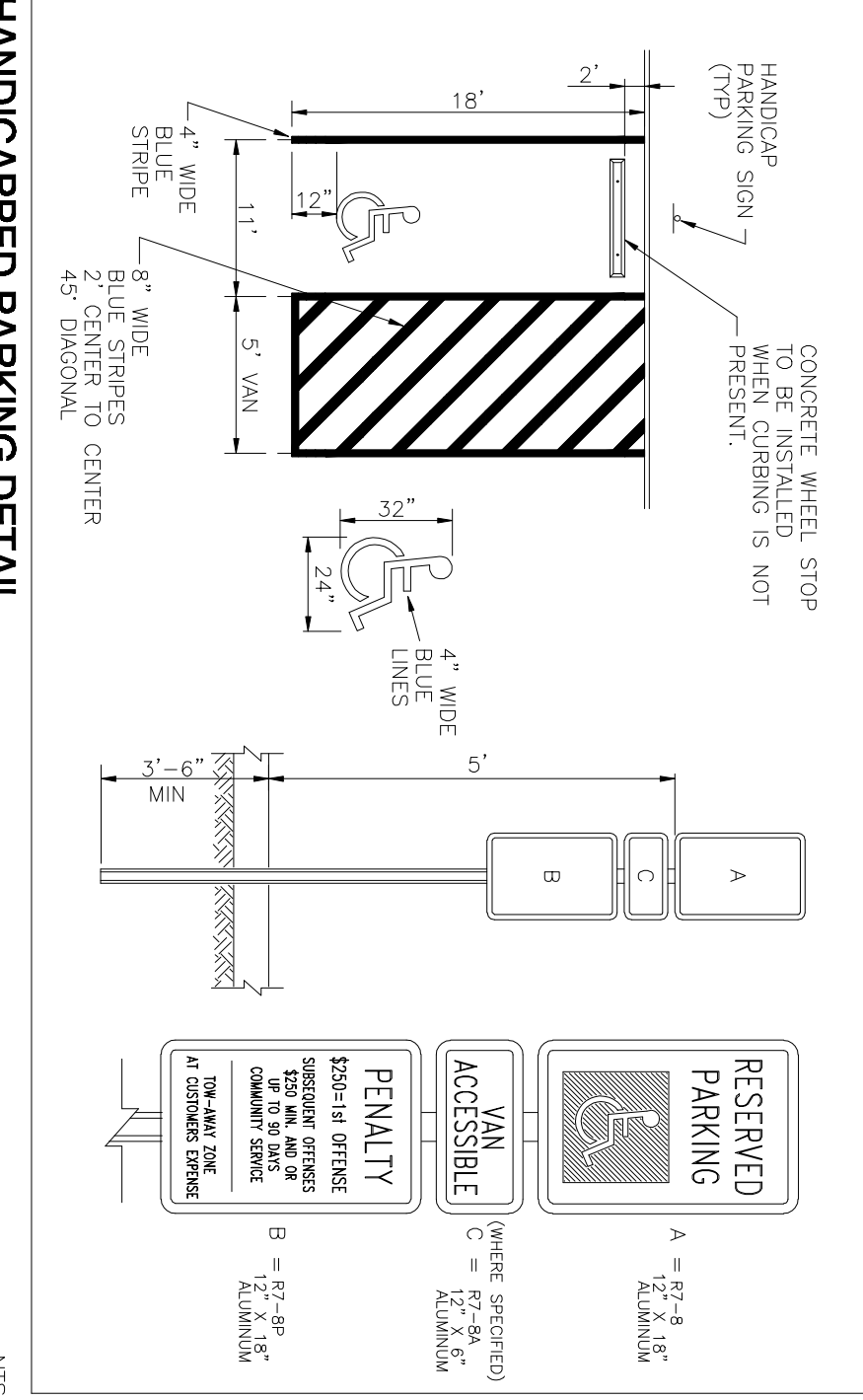
DENSE GRADED AGGREGATE BASE COURSE, (DGA) 6" THICK



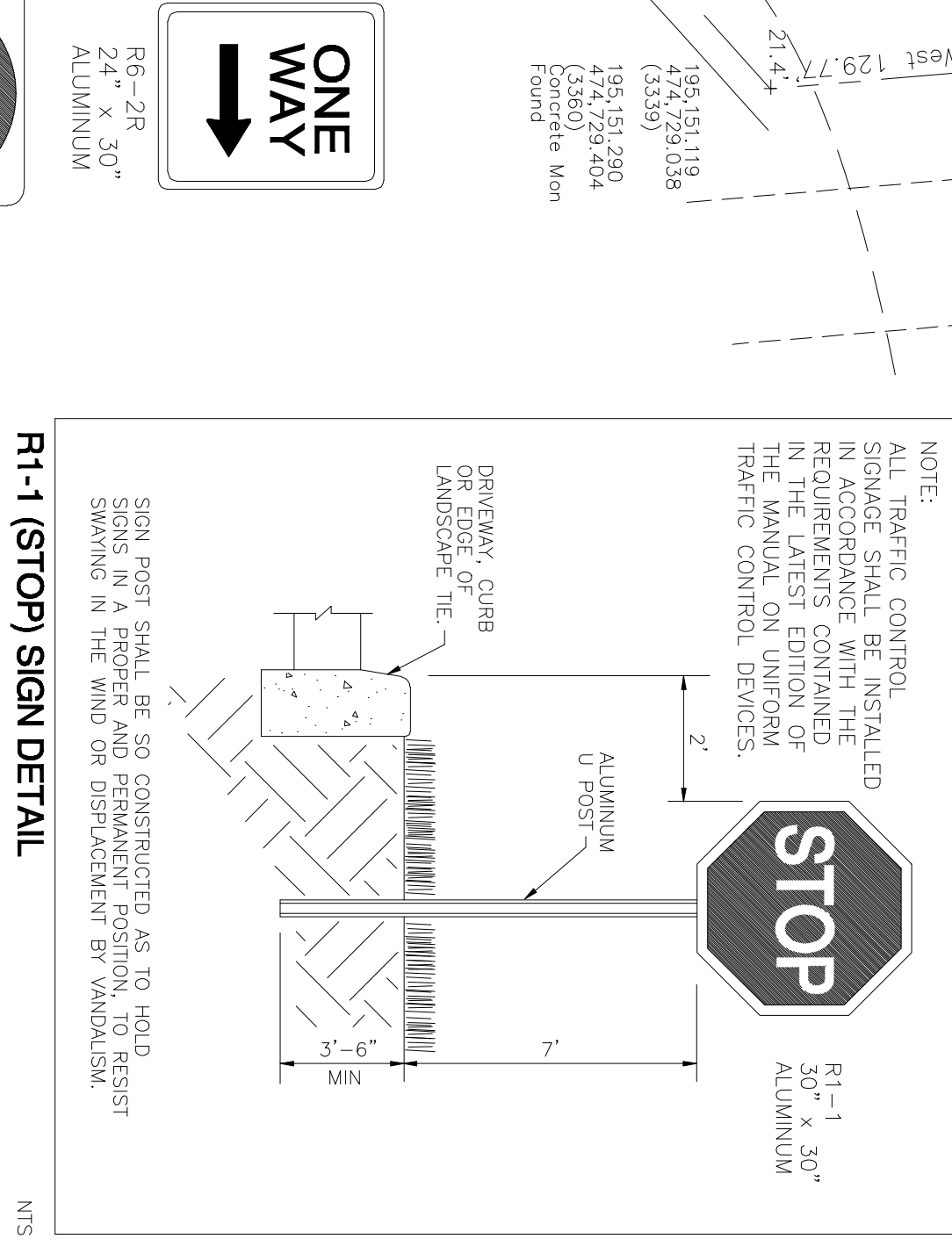
STANDARD FLOODLIGHT DETAIL



PHOTOMETRIC DETAIL



HANDICAPPED PARKING DETAIL



R1-1 (STOP) SIGN DETAIL

SITE PLAN
 NORTHFIELD BAPTIST CHURCH
 1964 ZION ROAD
 BLOCK 33 LOT 63
 CITY OF NORTHFIELD
 ATLANTIC COUNTY, NEW JERSEY

ROBERT BRUCE & ASSOCIATES
Consulting Engineers and Planners
 91 Mays Landing Road
 Somers Point, N.J. 08244-1111
 Telephone: (609) 926-3311 Fax: (609) 926-2212

ROBERT A. BRUCE
Professional Engineer
 N.J. License Number 28404

DATE	BY	DESCRIPTION

DWN: SDT
 SCALE: 1" = 30'
 DATE: 10/2/22
 PROJECT: 222026
 SHEET: 2 OF X